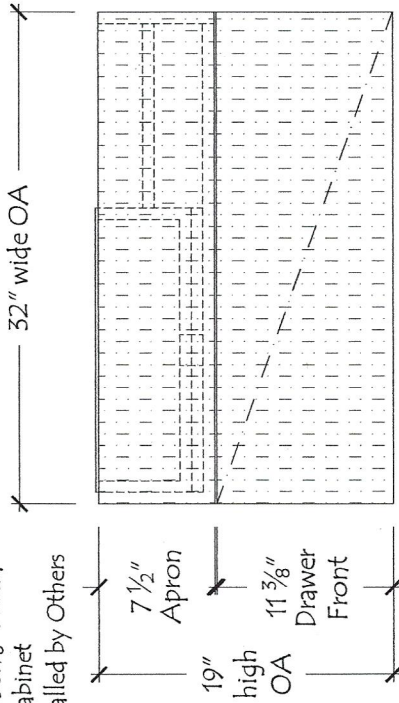


Marble Inset Sink Set 1/8" Proud of Top Edge of Cabinet Supplied and Installed by Others



General Specifications

Suspended Bath Vanity by Red Star Cabinet Co, Inc
 Frameless 3/4" Plywood Construction
 32" wide x 19" high x 20 3/4" deep OA incl Fronts
 Full Overlay Slab Apron and Drawer Fronts
 Mitered Vertical Edge at Cabinet Side and Drawer Sides, incl Apron
 Vanity Suspended on Camar Brackets
 Full Extension Drawer Slides
 Push to Open Hardware at Drawer
 Counter Tops and Sinks Supplied and Installed by Others
 Supply with Hole Cut for Sink Drain -- 3" Diameter Centered

Finish:

Satin Finish White Lacquer

Interior:

Elm Veneer Stained to Match Approved Sample

Exterior:

Sealed with Moisture Resistant Acrylic Polyurethane

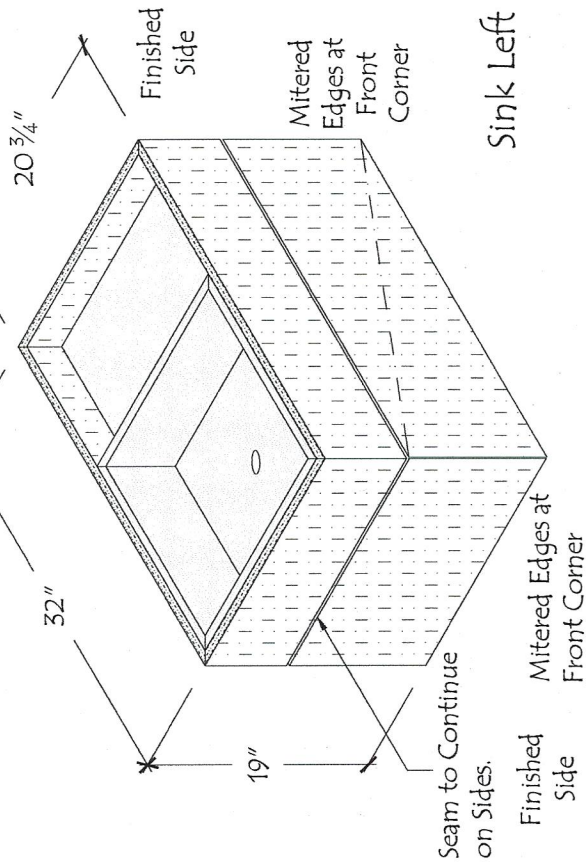
Grain Direction:

Vertical

Marble Inset Sink

Sink Shown for Reference Only Supplied and Installed by Others

Front Elevation



APT:	BATH :	QTY:
2A1, 2B1, 2C1, 2D1, 2F1, 2H1	Main	6
3A1, 3B1, 3C2, 3H2	Main	4
3D2, 3E2, 3F2	Hall	3
4A1, 4B1, 4C2, 4H2	Main	4
4D2, 4E2, 4F2	Hall	3
5D3	Bed 2	1
5B2, 5H2	Main	2
5D3	Bed 3	1
5E2, 5F2	Hall	2
6D3	Bed 2	1
6B2	Main	1
6D3, 6F3	Bed 3	2
PHA	Bed 4	1
PHB	Hall	1
Total		32

Quantity: 32

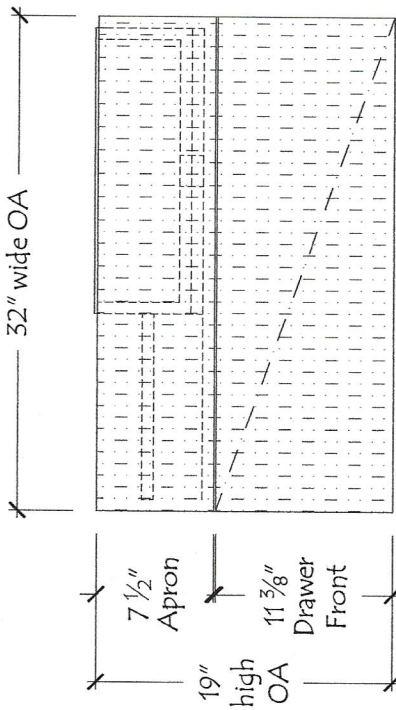
Red Star Cabinet Co Inc
 226 Sherwood Avenue, Suite A
 Farmingdale, New York 11735
 631 694 6200

Customer: The Rinaldi Group LLC
 Project: 75 Kenmare Street
 Title: Secondary Bathroom Vanity Base
 Date: 08-08-18 Scale: NONE

No:	Date:	Revisions:	By:

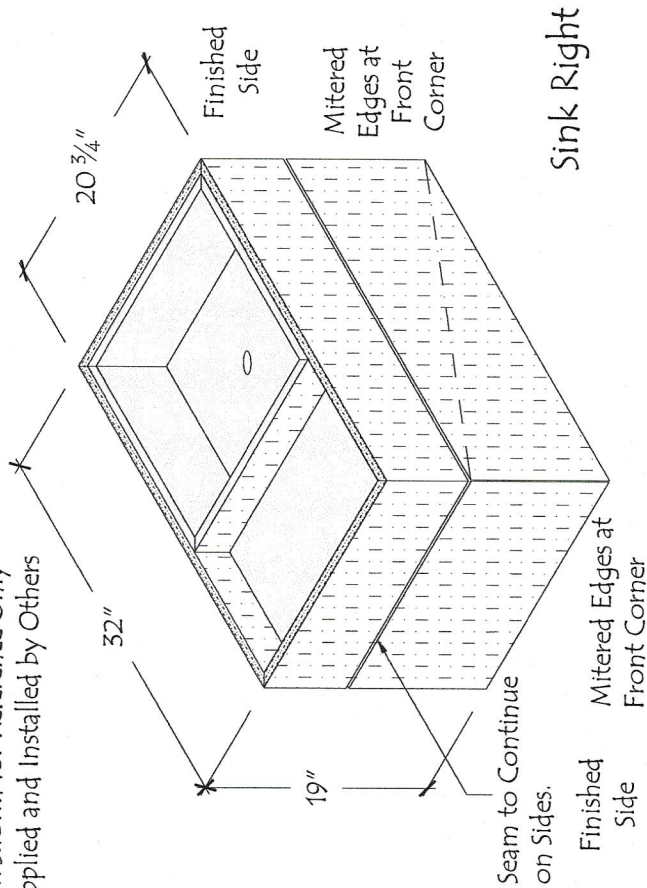
Dwg #
 RS -1803
 SBvL

Marble Inset Sink Set 1/8" Proud of Top Edge of Cabinet Supplied and Installed by Others



Front Elevation

Marble Inset Sink Sink Shown for Reference Only Supplied and Installed by Others



Sink Right

General Specifications

Suspended Bath Vanity by Red Star Cabinet Co, Inc
 Frameless 3/4" Plywood Construction
 32" wide x 19" high x 20 3/4" deep OA incl Fronts
 Full Overlay Slab Apron and Drawer Fronts
 Mitered Vertical Edge at Cabinet Side and Drawer Sides, incl Apron
 Vanity Suspended on Camar Brackets
 Full Extension Drawer Slides
 Push to Open Hardware at Drawer
 Counter Tops and Sinks Supplied and Installed by Others
 Supply with Hole Cut for Sink Drain -- 3" Diameter Centered

Finish:

Interior: Satin Finish White Lacquer

Exterior: Elm Veneer Stained to Match Approved Sample

Sealed with Moisture Resistant Acrylic Polyurethane

Grain Direction: Vertical

APT:	BATH :	QTY:
2E1	Main	1
3J2, 4J2	Hall	2
5A2	Bed 2	1
6A2, 6F3	Bed 2	2
PHA	Bed 2, Bed 3	2
PHC	Hall	1
Total		9

Quantity: 9

Customer: The Rinaldi Group LLC

Project: 75 Kenmare Street

Title: Secondary Bathroom Vanity Base

Date: 08-08-18 Scale: NONE

Red Star Cabinet Co Inc

226 Sherwood Avenue, Suite A
 Farmingdale, New York 11735
 631 694 6200

No:	Date:	Revisions:	By:

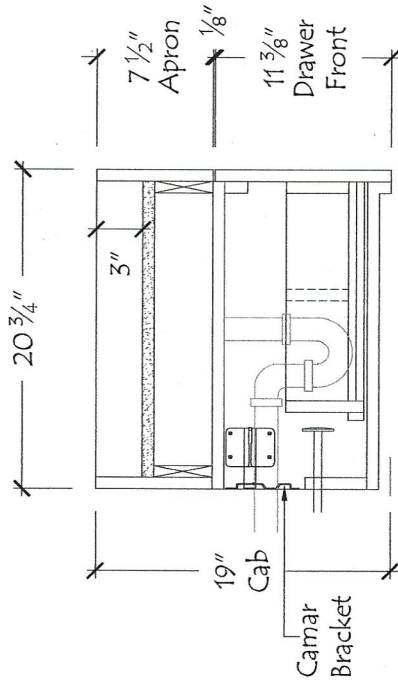
Dwg #

RS -1803

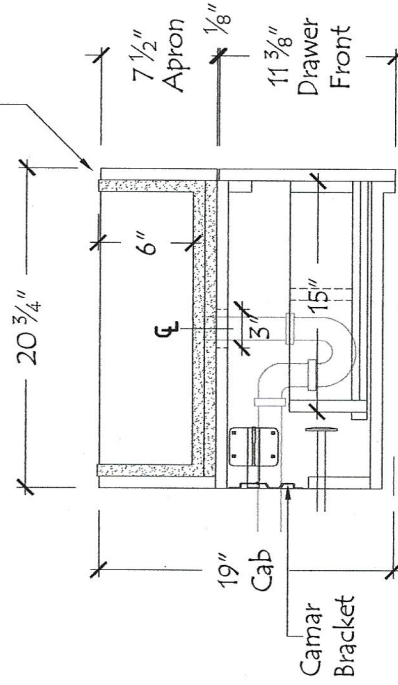
SBvR

Marble Inset Sink and Deck
Shown for Reference Only
Supplied and Installed by Others

Marble Inset Sink Set $\frac{1}{8}$ " Proud
of Top Edge of Cabinet
Supplied and Installed by Others



Section at Recessed Top



Section at Sink

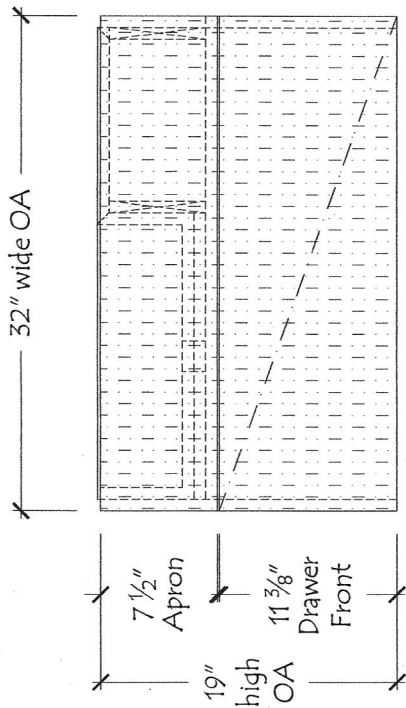
Red Star Cabinet Co Inc
226 Sherwood Avenue, Suite A
Farmingdale, New York 11735
631 694 6200

Customer: The Rinaldi Group LLC
Project: 75 Kenmare Street
Title: Secondary Bathroom Vanity Base - Sections
Date: 08-08-18 Scale: NONE

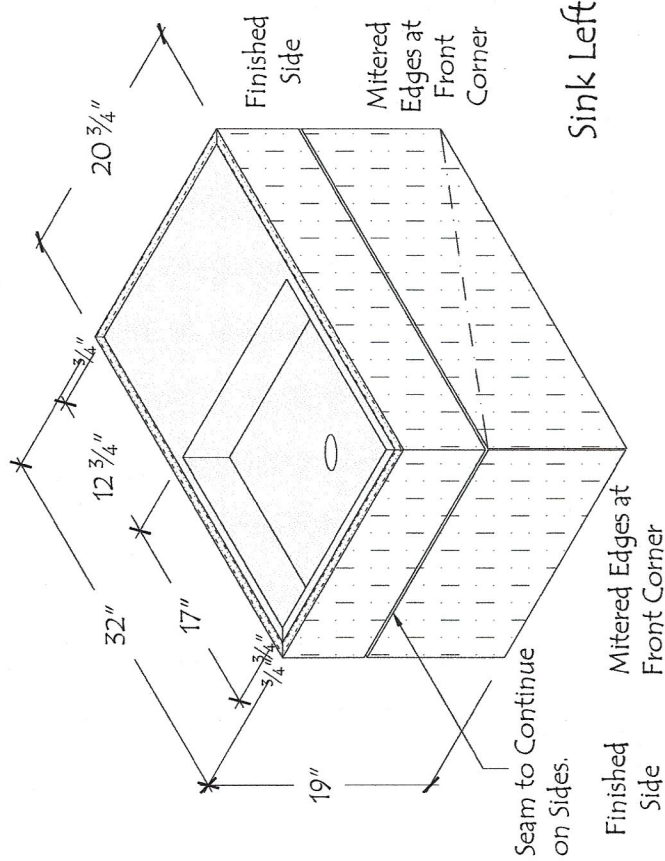
No:	Date:	Revisions:	By:

Dwg #
RS -1803
SBv
Section

Marble Inset Sink and Deck
Set 1/8" Proud of Top Edge of Cabinet
Supplied and Installed by Others



Front Elevation



General Specifications

Suspended Bath Vanity by Red Star Cabinet Co, Inc
Frameless 3/4" Plywood Construction
32" wide x 19" high x 20 3/4" deep OA incl Fronts
Full Overlay Slab Apron and Drawer Fronts
Mitered Vertical Edge at Cabinet Side and Drawer Sides, incl Apron
Vanity Suspended on Camar Brackets
Full Extension Drawer Slides
Push to Open Hardware at Drawer
Counter Tops and Sinks Supplied and Installed by Others
Supply with Hole Cut for Sink Drain -- 3" Diameter Centered

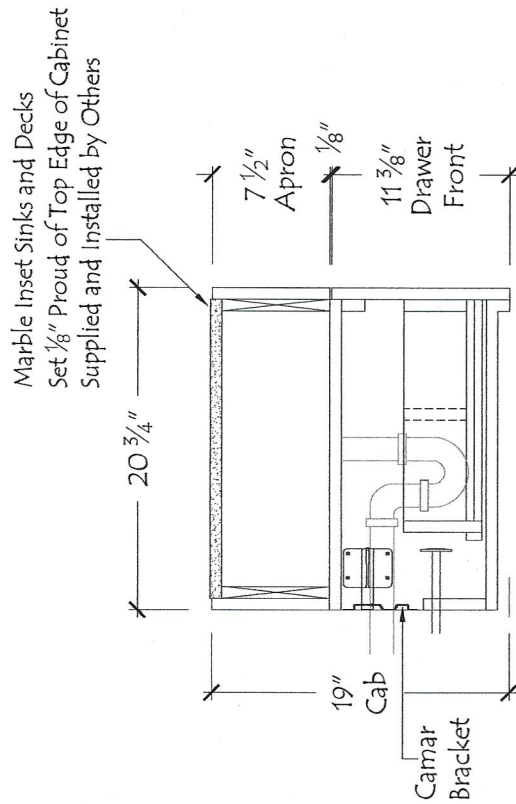
Finish: Satin Finish White Lacquer
Interior: Elm Veneer Stained to Match Approved Sample
Exterior: Sealed with Moisture Resistant Acrylic Polyurethane
Grain Direction: Vertical

APT:	QTY:
2G, 2J1	2
5A2, 5D3	2
6A2, 6D3, 6F3	3
PHB	1
Total	8

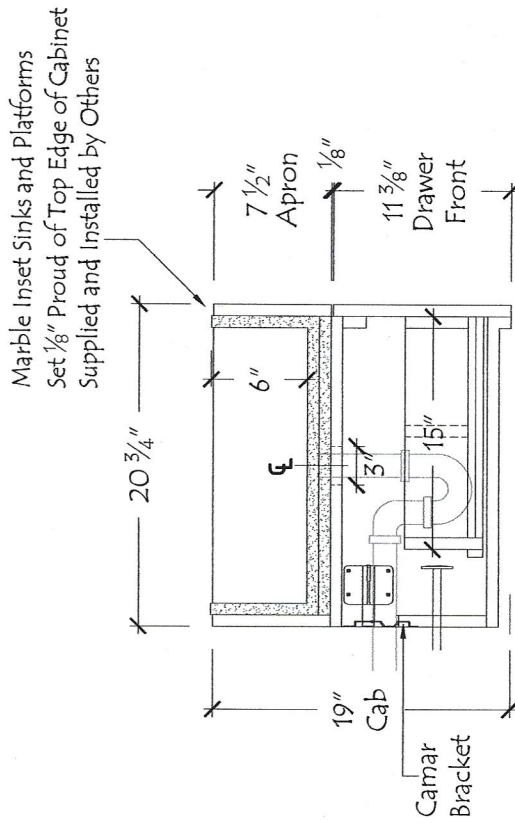
Quantity: 8

Red Star Cabinet Co Inc 226 Sherwood Avenue, Suite A Farmingdale, New York 11735 631 694 6200		Customer: The Rinaldi Group LLC Project: 75 Kenmare Street Title: Powder Room Vanity Base Date: 08-08-18 Scale: NONE		Dwg # RS -1803 PRVL	
No:	Date:	Revisions:	By:		

Marble Inset Sink and Deck
 Shown for Reference Only
 Supplied and Installed by Others



Section at Flush Top



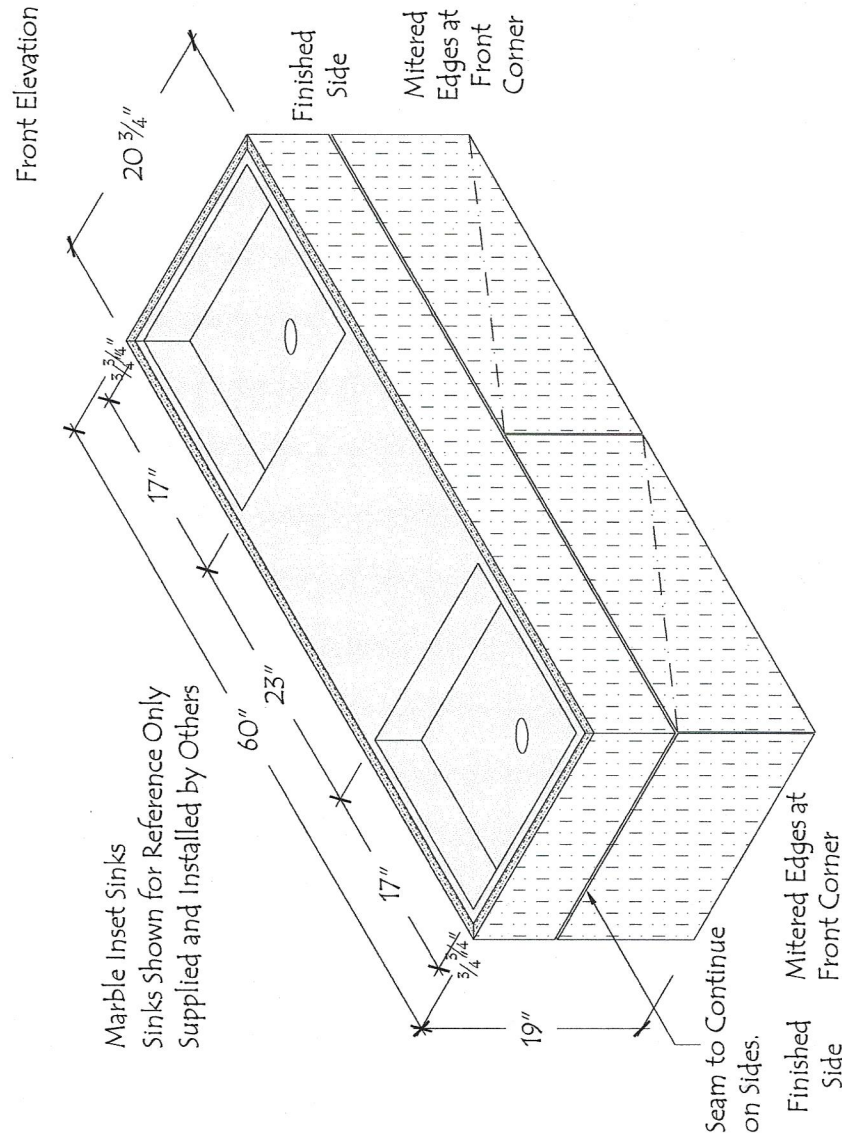
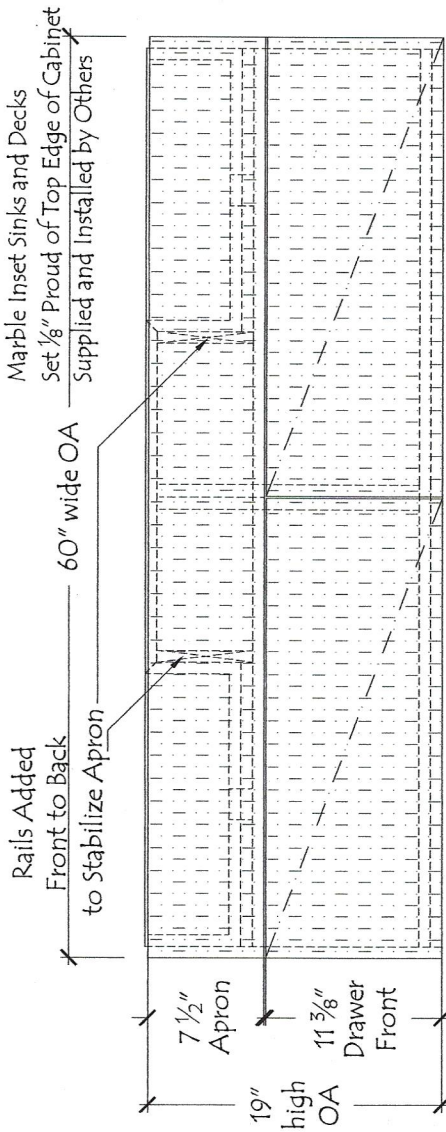
Section at Sink

Red Star Cabinet Co Inc
 226 Sherwood Avenue, Suite A
 Farmingdale, New York 11735
 631 694 6200

Customer: The Rinaldi Group LLC
 Project: 75 Kenmare Street
 Title: Powder Room Vanity Base -Section
 Date: 08-08-18 Scale: NONE

No:	Date:	Revisions:	By:

Dwg #
RS -1803
 PR v
 Section



General Specifications

Suspended Bath Vanity by Red Star Cabinet Co. Inc
 Frameless 3/4" Plywood Construction
 60" wide x 19" high x 20 3/4" deep OA incl Fronts
 Full Overlay Slab Apron and Drawer Fronts
 Mitered Vertical Edge at Cabinet Side and Drawer Sides, incl Apron
 Vanity Suspended on Camar Brackets
 Full Extension Drawer Slides
 Push to Open Hardware at Drawer
 Counter Tops and Sinks Supplied and Installed by Others
 Supply with Holes Cut for Sink Drains -- 3" Diameter Centered
 Under-Cabinet Lights Supplied and Installed by Others

Finish:

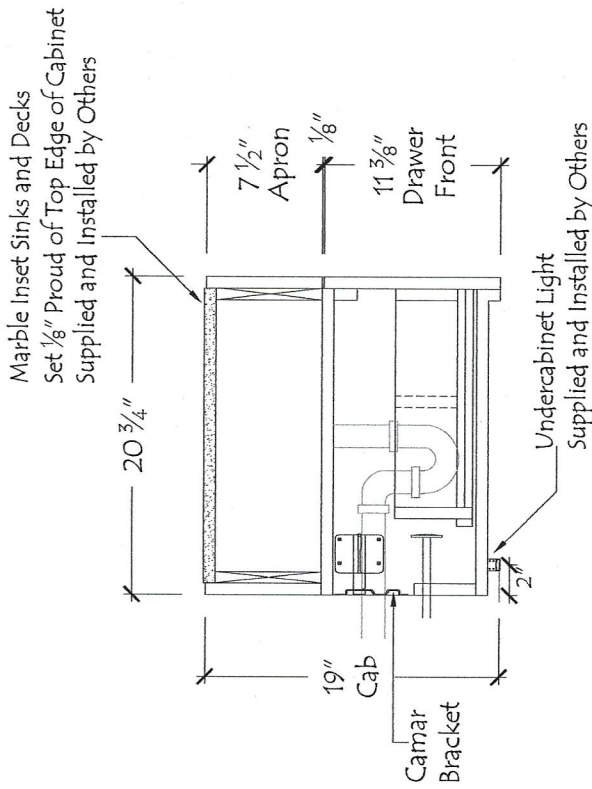
Interior: Satin Finish White Lacquer
 Exterior: Elm Veneer Stained to Match Approved Sample
 Grain Direction: Vertical
 Sealed with Moisture Resistant Acrylic Polyurethane

APT:	BATH:	QTY:
2D1, 2G, 2J1	Master	3
3D2, 3E2, 3F2, 3J2	Master	4
4D2, 4E2, 4F2, 4J2	Master	4
5A2, 5D3, 5E2, 5F2	Master	4
6A2, 6D3, 6PHB, 6F3	Master	4
PHC	Master	1
Total		20

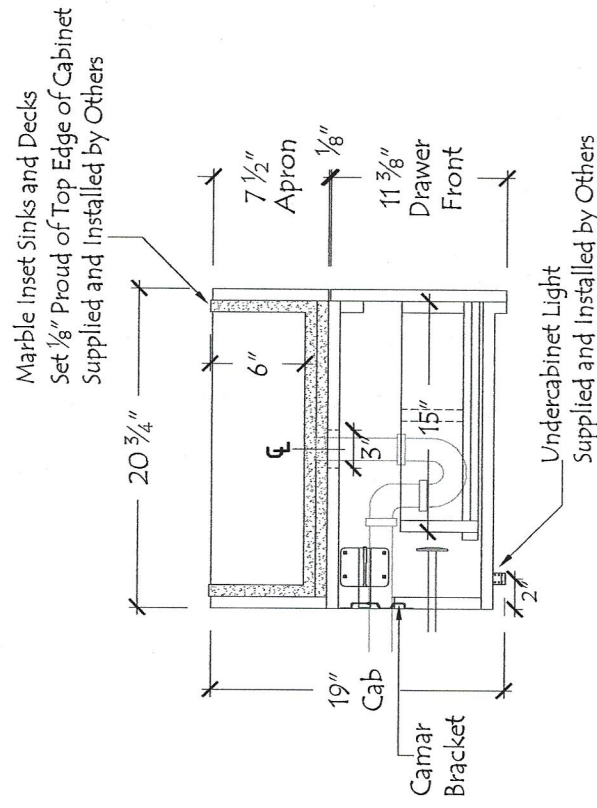
Quantity: 20

Customer: The Rinaldi Group LLC	Dwg #	RS -1803
Project: 75 Kenmare Street	By:	MBv60
Title: Master Bath Vanity Base	Date: 08-08-18	
Scale: NONE	Revisions:	
Red Star Cabinet Co Inc 226 Sherwood Avenue, Suite A Farmingdale, New York 11735 631 694 6200		

Marble Inset Sink and Deck
Shown for Reference Only
Supplied and Installed by Others



Section at Flush Top



Section at Sink

Red Star Cabinet Co Inc
226 Sherwood Avenue, Suite A
Farmingdale, New York 11735
631 694 6200

Customer: The Rinaldi Group LLC
Project: 75 Kenmare Street
Title: Master Bath Vanity Base - Sections
Date: 08-08-18 Scale: NONE

No:	Date:	Revisions:	By:

Dwg #
RS -1803
MB v
Section