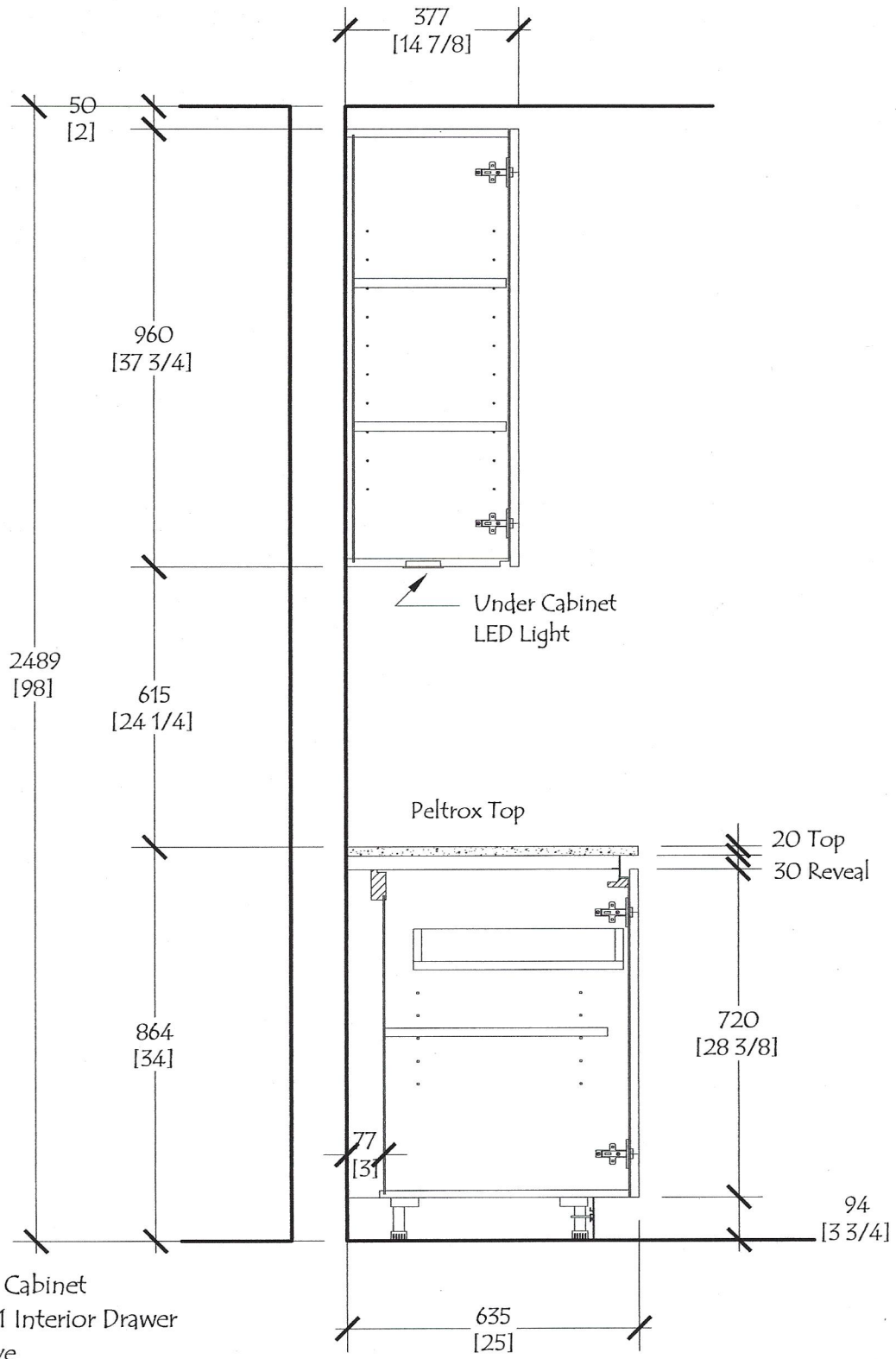


Section at 3 Drawer Base
Wall Cab Above
Floor 4-6
Ceiling Height 98"

Section 1

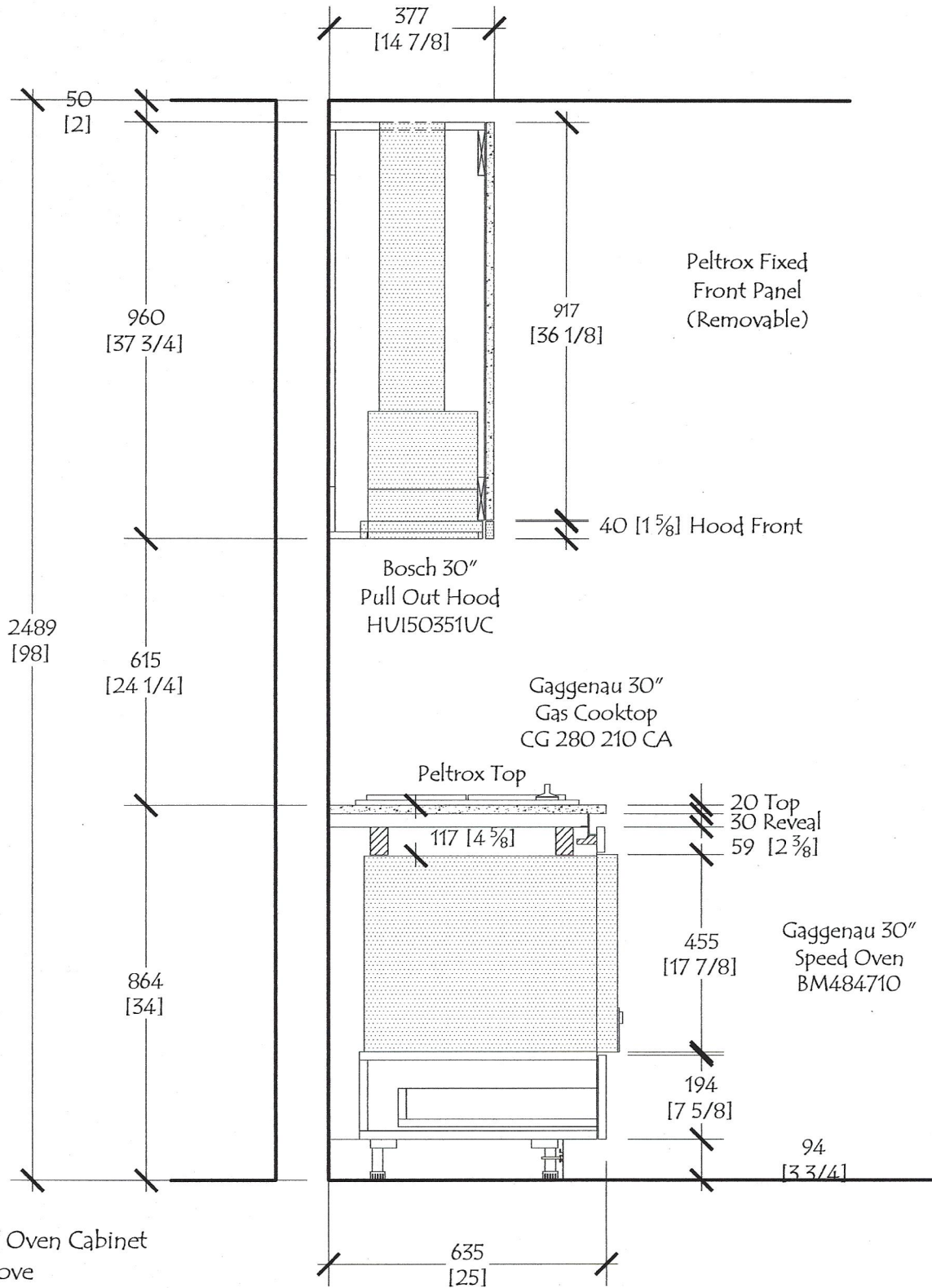
CUSTOMER : The Rinaldi Group				NO.	DATE	REVISIONS	BY	DWG. #
PROJECT : 75 Kenmare Street								RS 1801 Sect 1
TITLE : Kitchen - Section 1								
DATE : 10-01-18	SCALE : NONE	DRAWN BY :	CHECKED BY :					



Section at Std Base Cabinet
 Full Height Door, 1 Interior Drawer
 Wall Cabinet Above
 Floor 4-6
 Ceiling Height 98"

Section 2

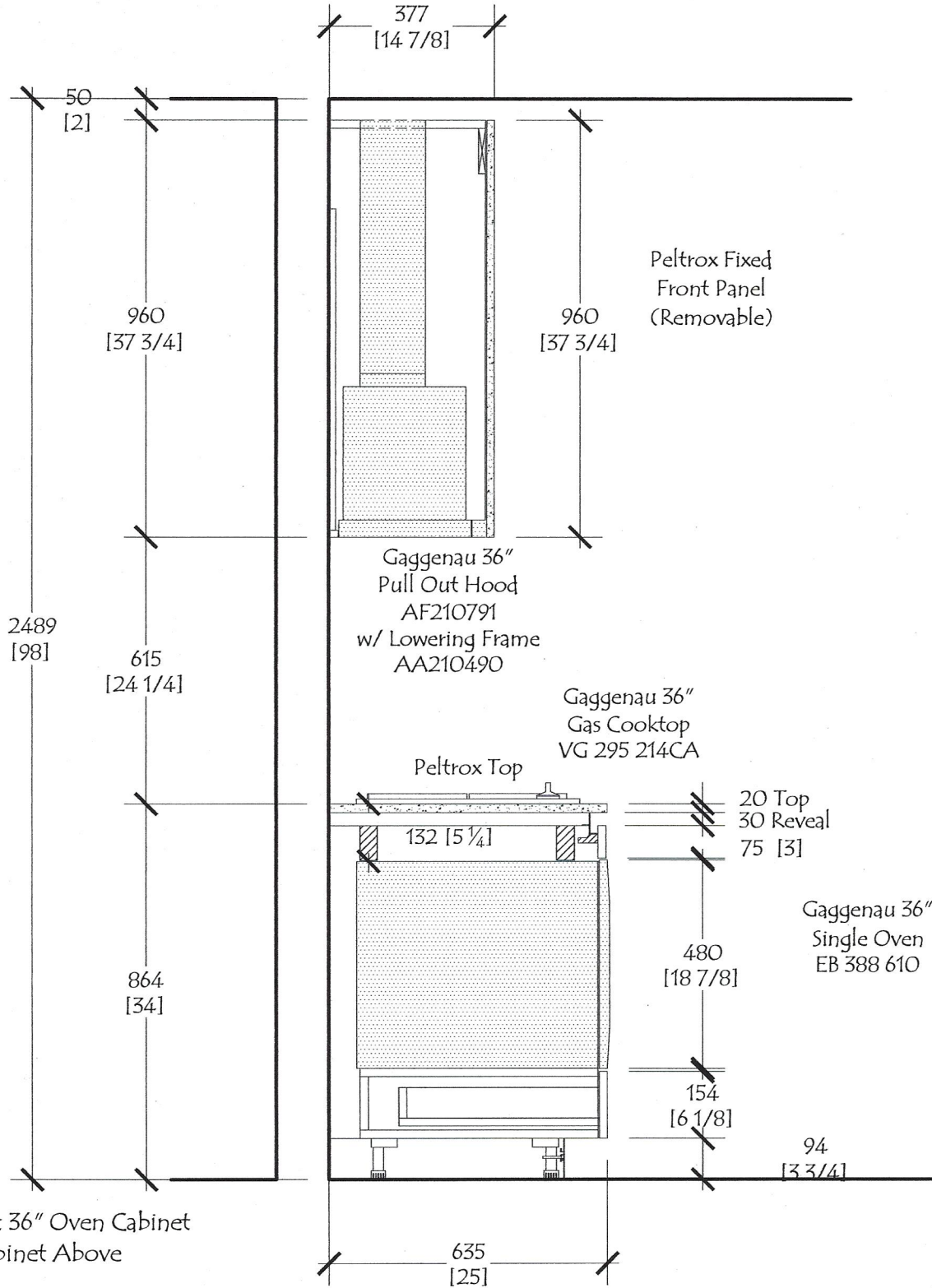
CUSTOMER : The Rinaldi Group		NO.	DATE	REVISIONS	BY	DWG. #
PROJECT : 75 Kenmare Street						RS 1801 Sect 2
TITLE : Kitchen - Section 2						
DATE : 10-01-18	SCALE : NONE	DRAWN BY :	CHECKED BY :			



Section at 30" Oven Cabinet
Hood Cab Above
Floor 4-6
Ceiling Height 98"

Section 3

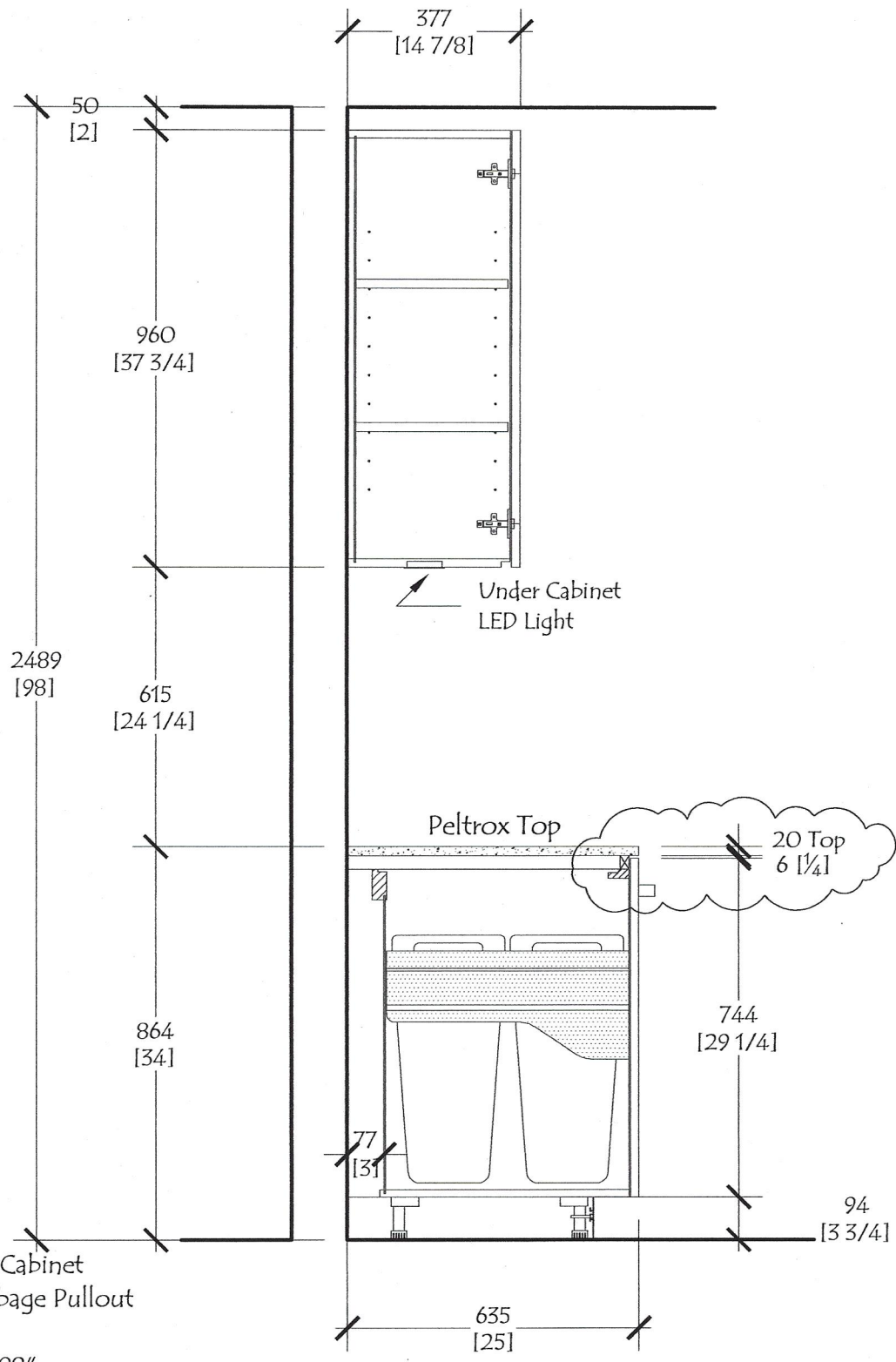
CUSTOMER: The Rinaldi Group	NO.	DATE	REVISIONS	BY	DWG. #
PROJECT: 75 Kenmare Street					RS 1801 Sect 3
TITLE: Kitchen - Section 3					
DATE: 10-01-18	SCALE: NONE	DRAWN BY:	CHECKED BY:		



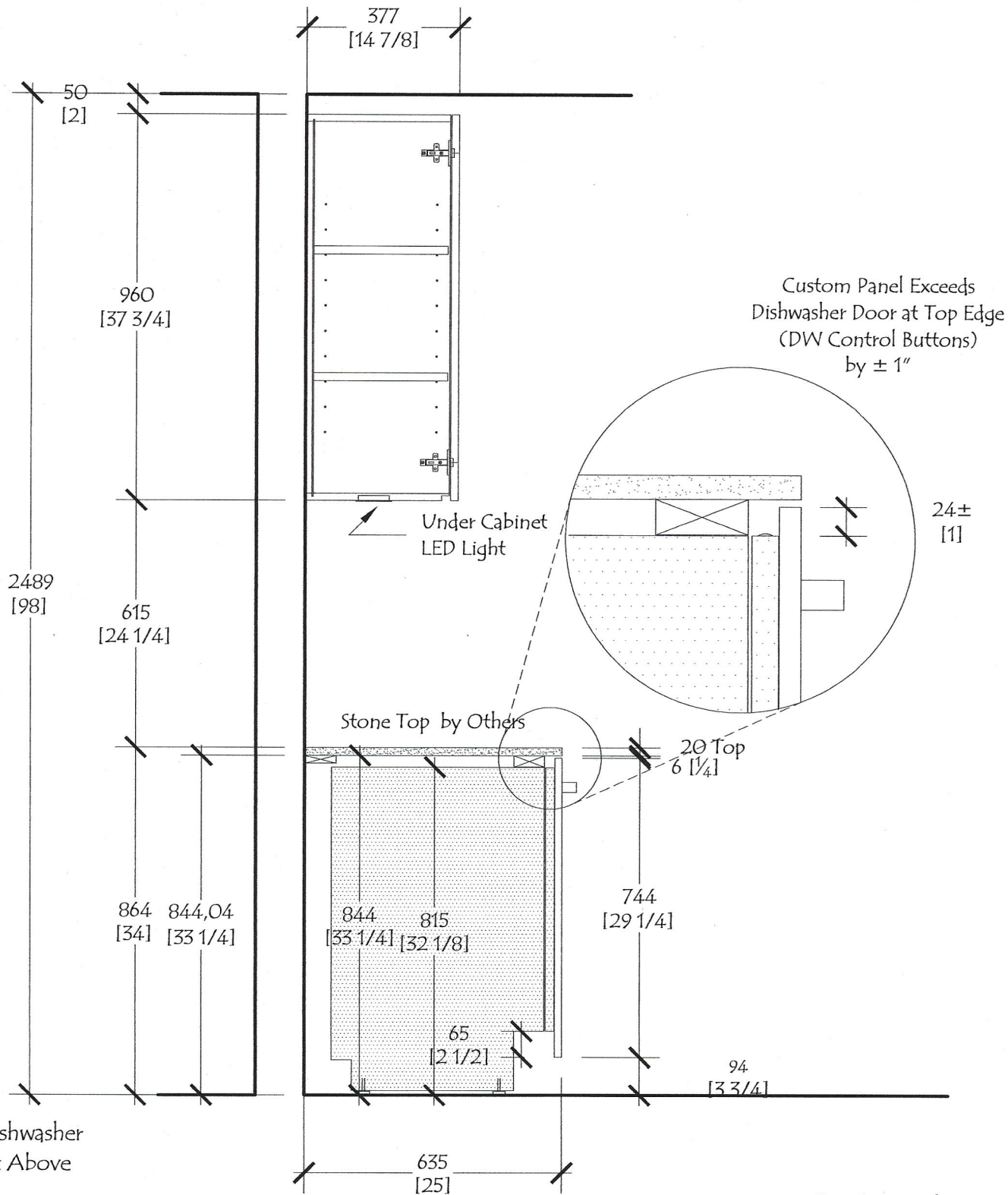
Section at 36" Oven Cabinet Hood Cabinet Above Floor 4-6 Ceiling Height 98"

Section 4

CUSTOMER :	The Rinaldi Group	NO.	DATE	REVISIONS	BY	DWG. #
PROJECT :	75 Kenmare Street					RS 1801 Sect 4
TITLE :	Kitchen - Section 4					
DATE :	10-01-18	SCALE :	NONE	DRAWN BY :	CHECKED BY :	



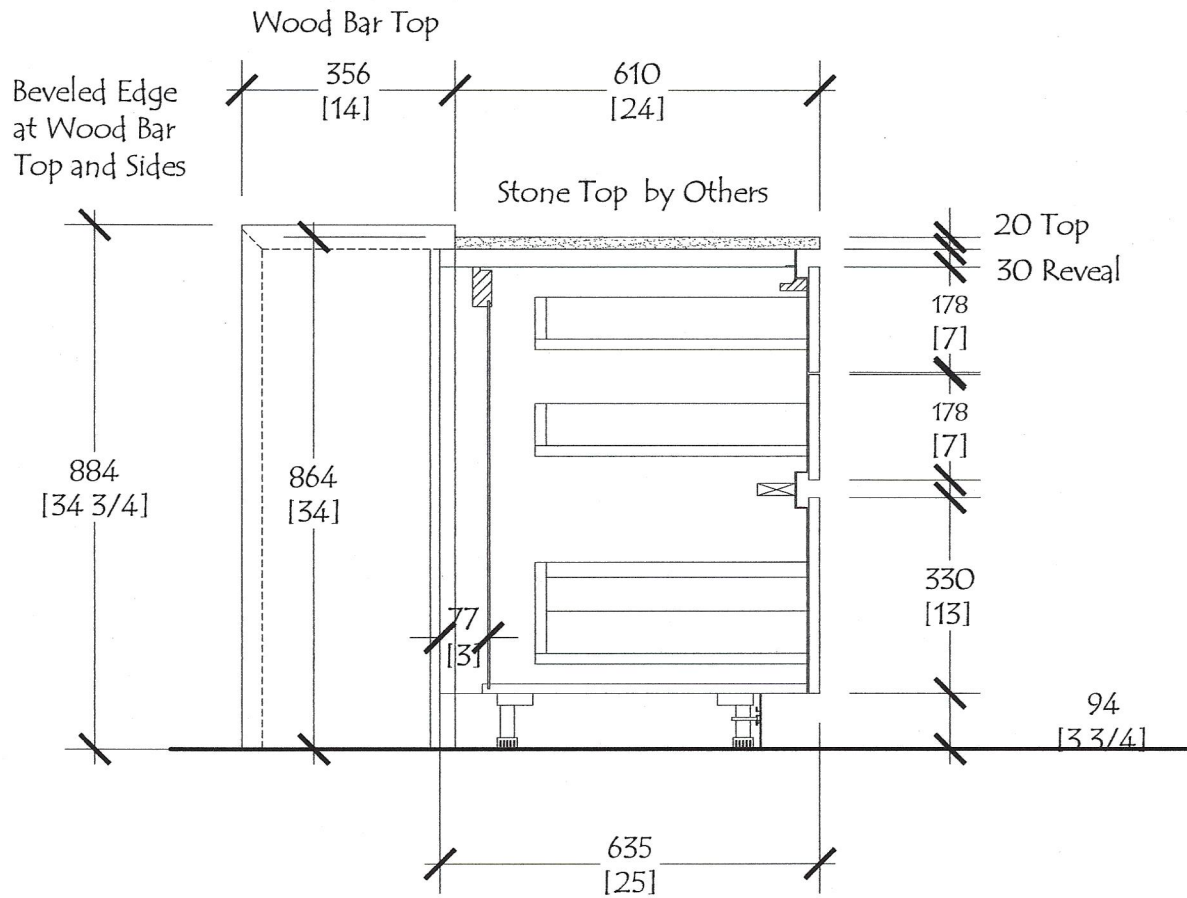
CUSTOMER: The Rinaldi Group		NO.	DATE	REVISIONS	DWG. # RS 1801 Sect 5
PROJECT: 75 Kenmare Street			06-25-18	Remove Gola and Reveal at Cab Top	
TITLE: Kitchen - Section 5					
DATE: 10-01-18	SCALE: NONE	DRAWN BY:	CHECKED BY:		



Section at Dishwasher
Wall Cabinet Above
Floor 4-6
Ceiling Height 98"

Section 6

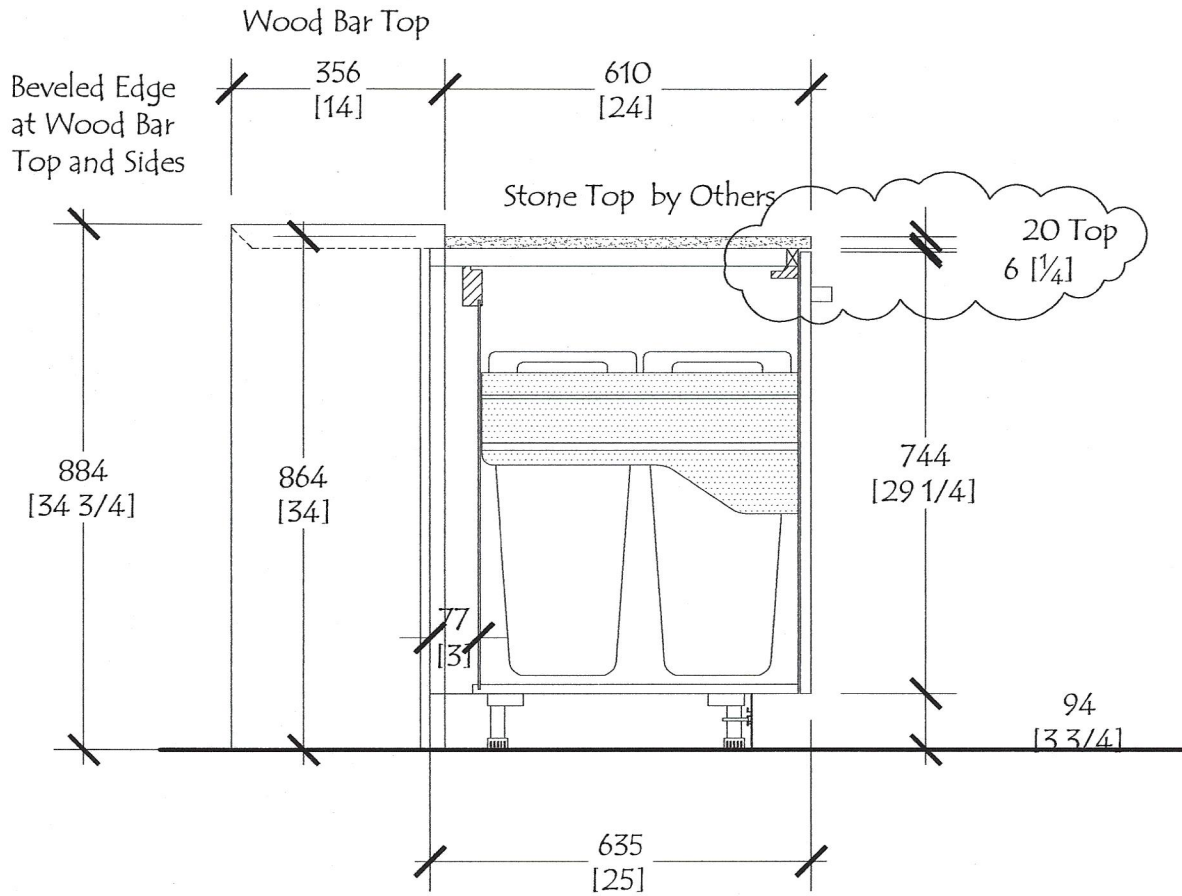
CUSTOMER:	The Rinaldi Group	NO.	DATE	REVISIONS	BY	DWG. #
PROJECT:	75 Kenmare Street					RS 1801 Sect 6
TITLE:	Kitchen - Section 6					
DATE:	10-01-18	SCALE:	NONE	DRAWN BY:	CHECKED BY:	



Section at Island 3 Drawer Base

Section 7

CUSTOMER:	The Rinaldi Group	NO.	DATE	REVISIONS	BY	DWG. #
PROJECT:	75 Kenmare Street					RS 1801 Sect 7
TITLE:	Kitchen - Section 7					
DATE:	10-01-18	SCALE:	NONE	DRAWN BY:	CHECKED BY:	

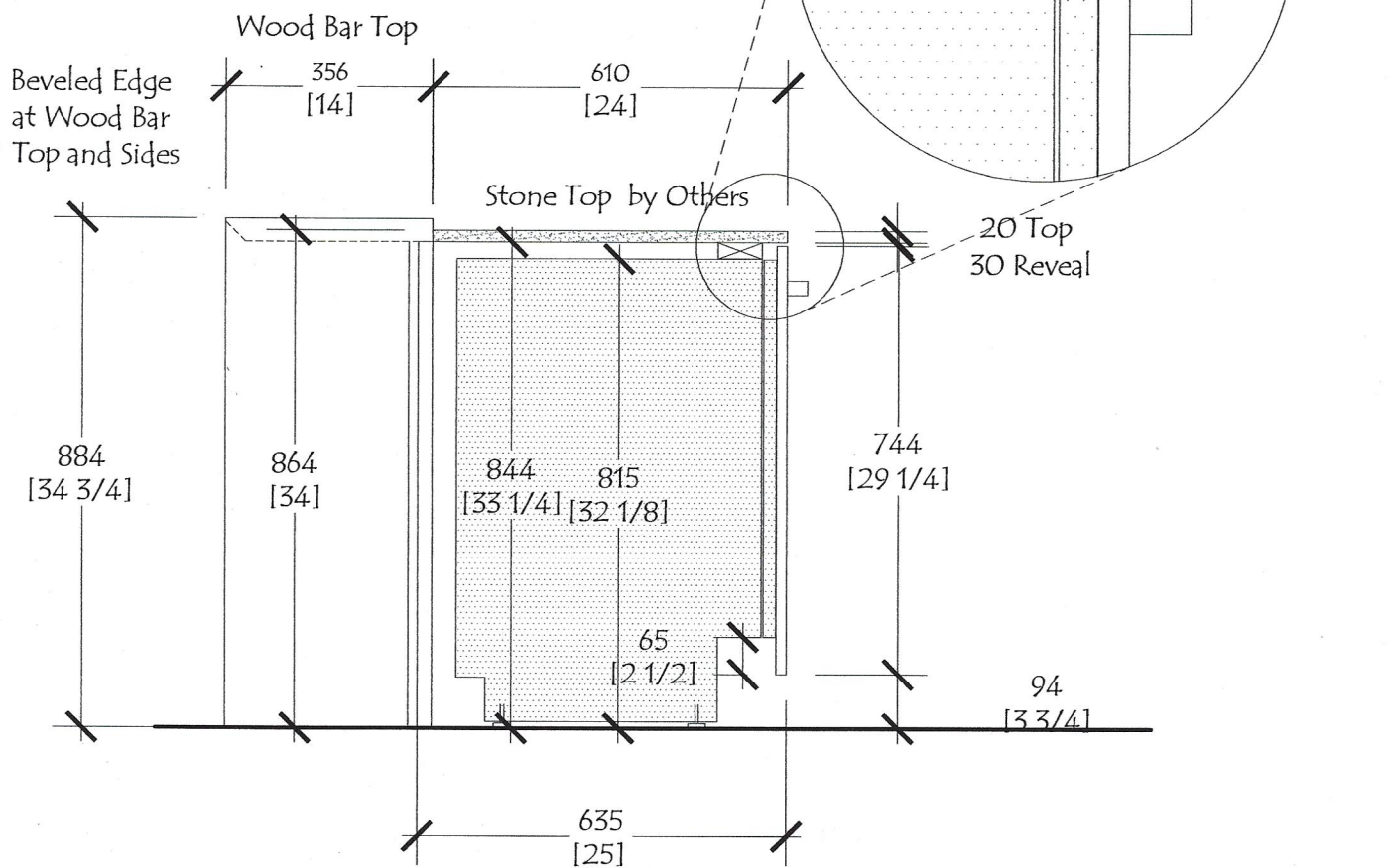


Section at Island Base Cab
w/ 2-Bin Garbage Rollout

Section 8

CUSTOMER: The Rinaldi Group	NO.	DATE	REVISIONS	DWG. #
PROJECT: 75 Kenmare Street		06-25-18	Remove Gola and Reveal	RS 1801 Sect 8
TITLE: Kitchen - Section 8			at Cab Top	
DATE: 10-01-18	SCALE: NONE	DRAWN BY:	CHECKED BY:	

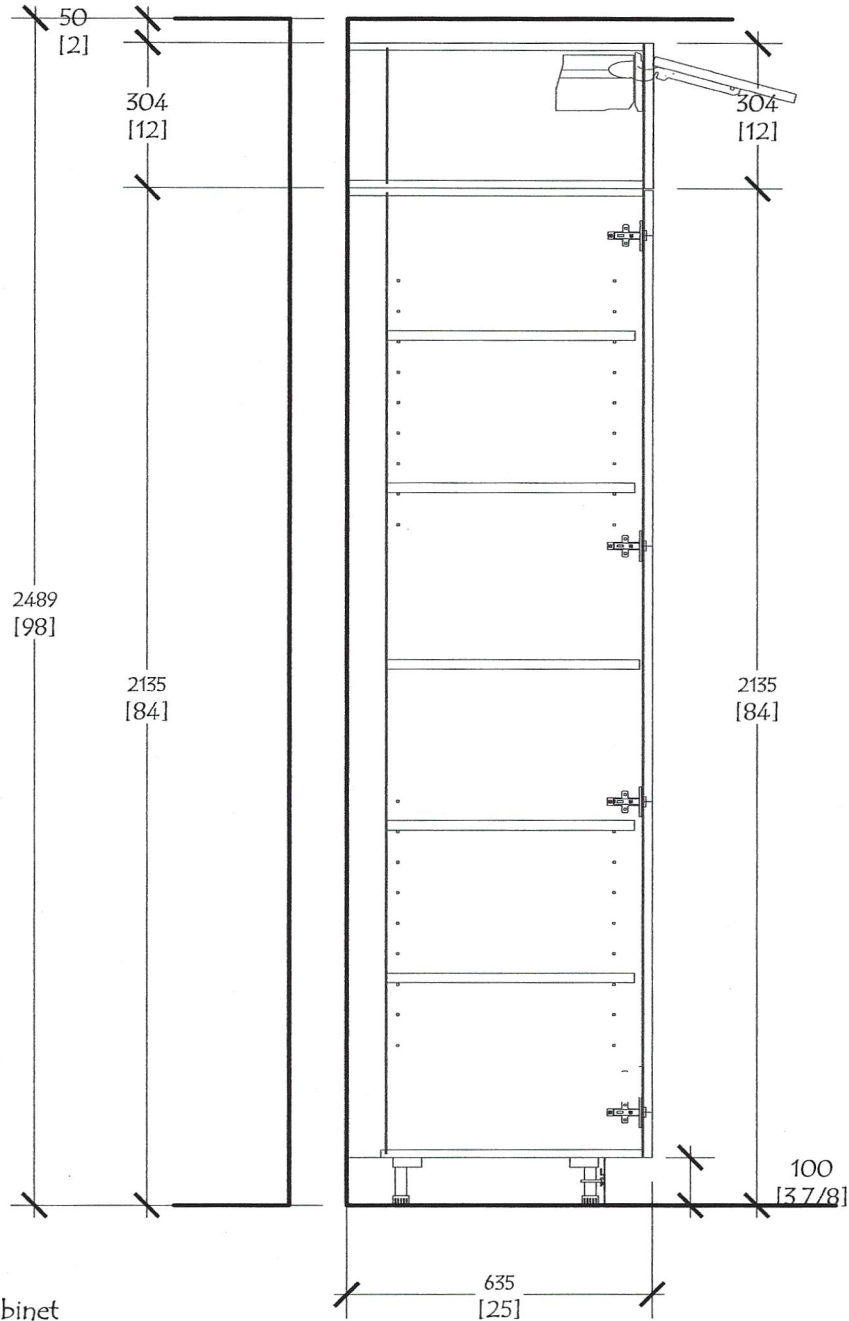
Custom Panel Exceeds
Dishwasher Door at Top Edge
(DW Control Buttons)
by ± 1"



Section at Island Dishwasher

Section 9

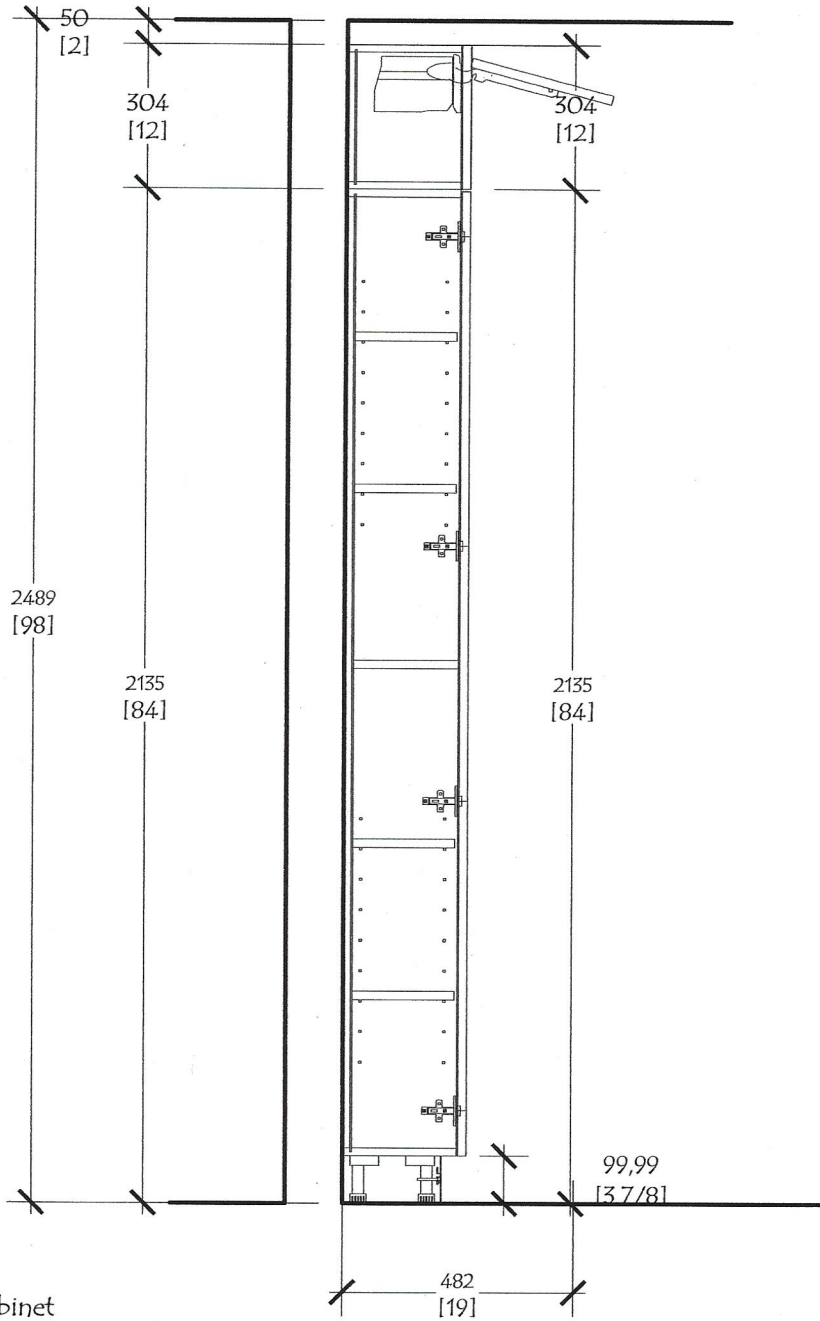
CUSTOMER: The Rinaldi Group	NO.	DATE	REVISIONS	BY	DWG. #
PROJECT: 75 Kenmare Street					RS 1801 Sect 9
TITLE: Kitchen - Section 9					
DATE: 10-01-18	SCALE: NONE	DRAWN BY:	CHECKED BY:		



Section at Tall Cabinet
 Unit A2
 Floor 5-6
 Ceiling Height 98"

Section 10

CUSTOMER: The Rinaldi Group		NO.	DATE	REVISIONS	BY	DWG. #
PROJECT: 75 Kenmare Street						RS 1801 Sect 10
TITLE: Pantry Section 10						
DATE: 10-01-18	SCALE: NONE	DRAWN BY:	CHECKED BY:			



Section at Tall Cabinet
 Unit D3
 Floor 5
 Ceiling Height 98"

Section 11

CUSTOMER : The Rinaldi Group				NO.	DATE	REVISIONS	BY	DWG. #
PROJECT : 75 Kenmare Street								RS 1801 Sect 11
TITLE : Pantry Section 11								
DATE : 10-01-18	SCALE : NONE	DRAWN BY :	CHECKED BY :					