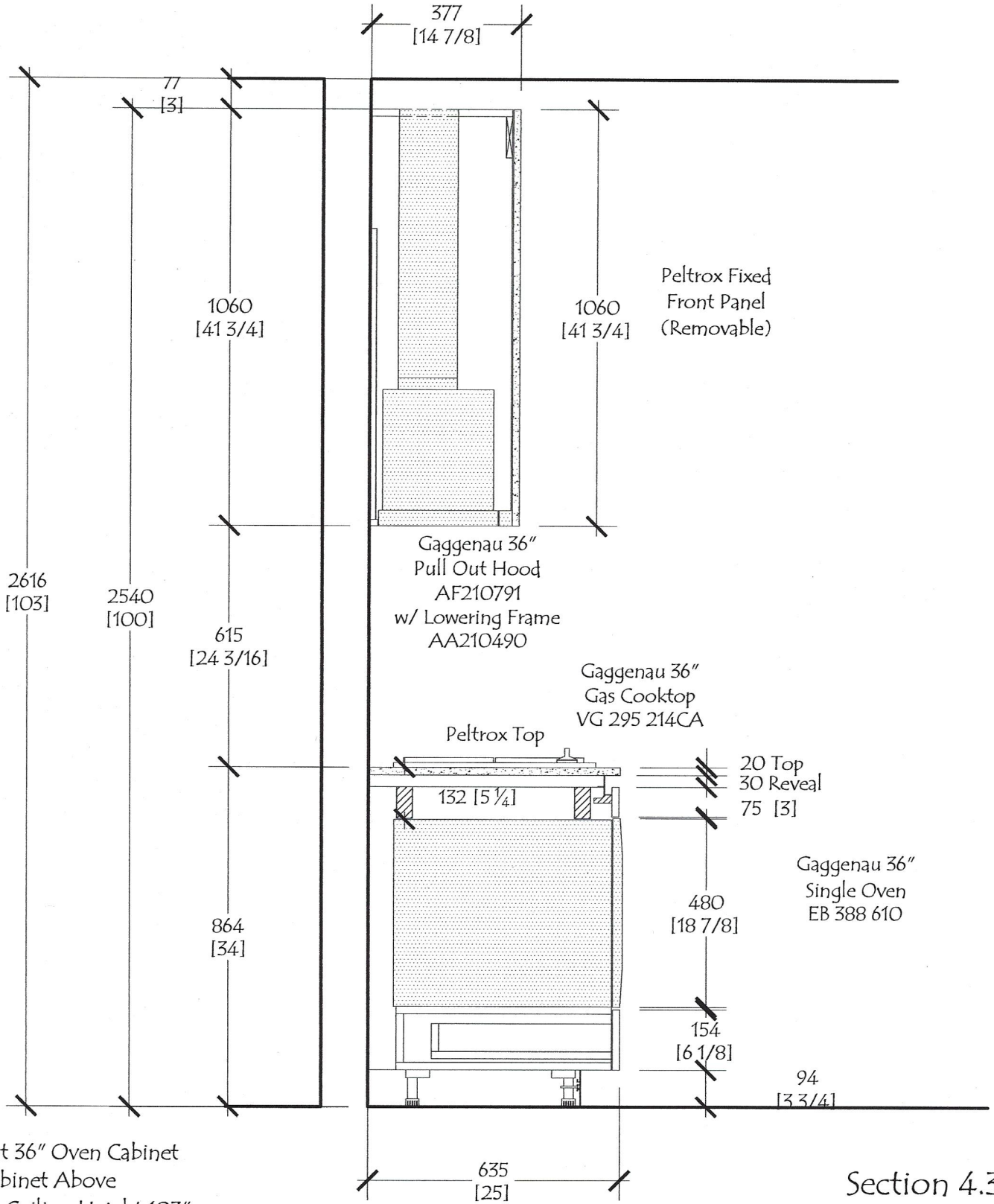


Section at 3 Drawer Base
Wall Cab Above
Floor 7 - Ceiling Height 103"

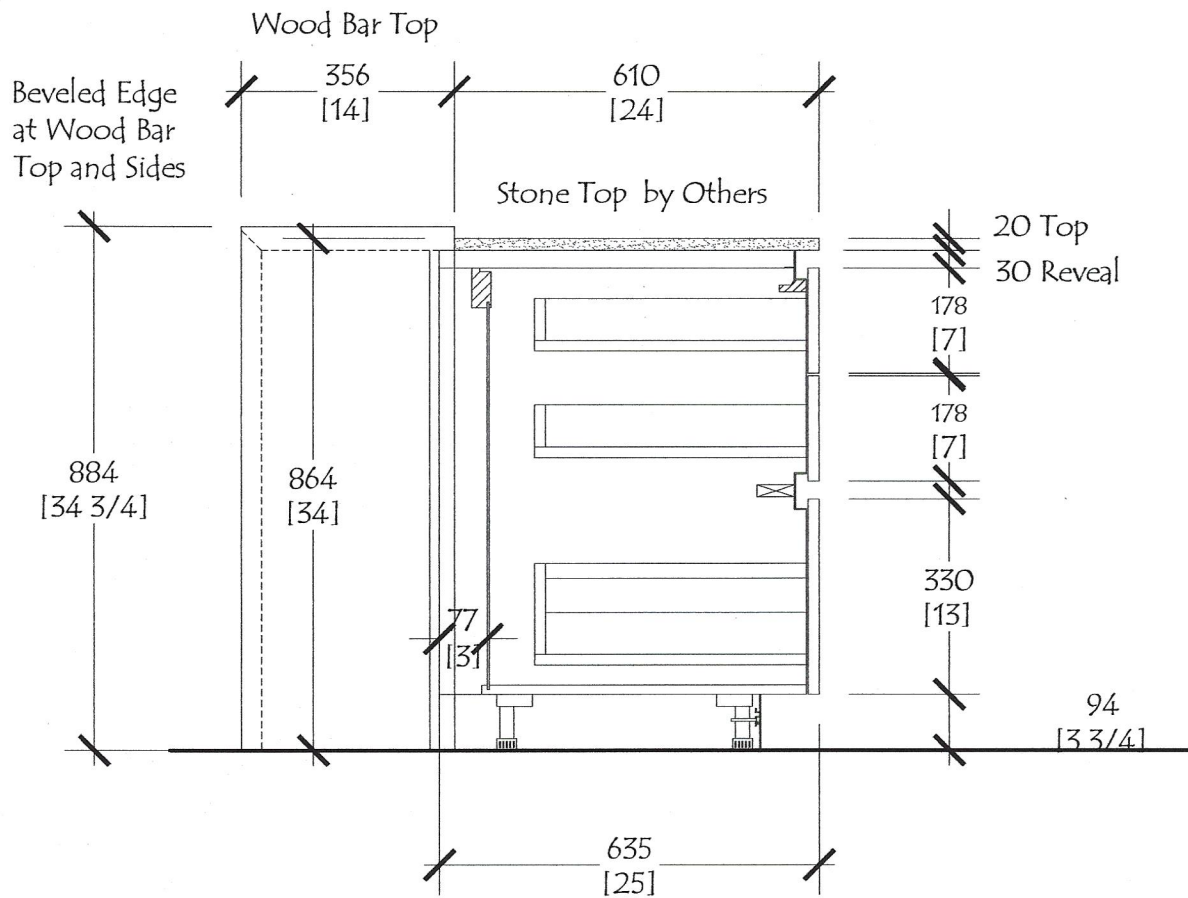
Section 1.3

CUSTOMER:	The Rinaldi Group	NO.	DATE	REVISIONS	BY	DWG. #
PROJECT:	75 Kenmare Street					RS 1801
TITLE:	Kitchen - Section 1.3					Sect 1.3
DATE:	10-01-18	SCALE:	NONE	DRAWN BY:	CHECKED BY:	



Section at 36" Oven Cabinet
Hood Cabinet Above
Floor 7 - Ceiling Height 103"

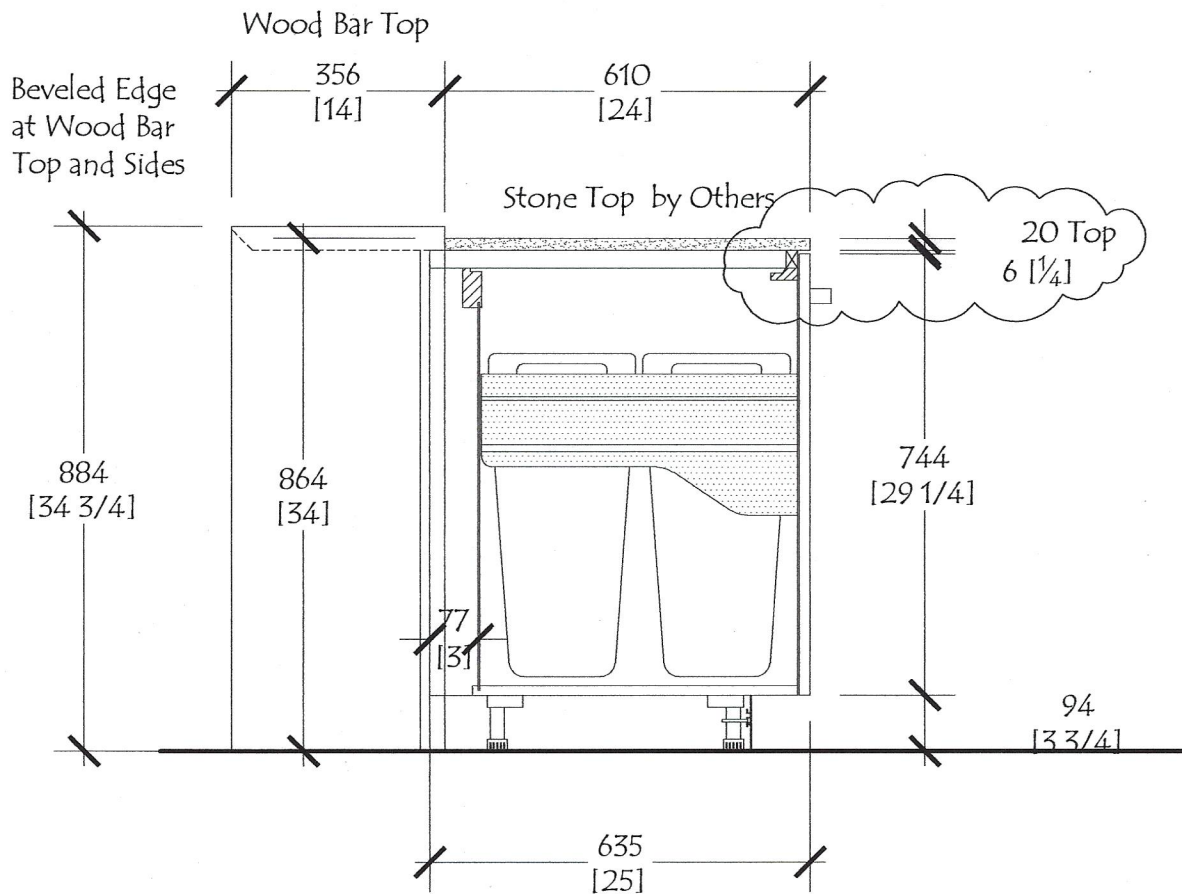
CUSTOMER:	The Rinaldi Group	NO.	DATE	REVISIONS	BY	DWG. #
PROJECT:	75 Kenmare Street					RS 1801 Sect 4.3
TITLE:	Kitchen - Section 4.3					
DATE:	10-01-18	SCALE:	NONE	DRAWN BY:	CHECKED BY:	



Section at Island 3 Drawer Base

Section 7

CUSTOMER : The Rinaldi Group		NO.	DATE	REVISIONS	BY	DWG. #
PROJECT : 75 Kenmare Street						RS 1801 Sect 7
TITLE : Kitchen - Section 7						
DATE : 10-01-18	SCALE : NONE	DRAWN BY :	CHECKED BY :			

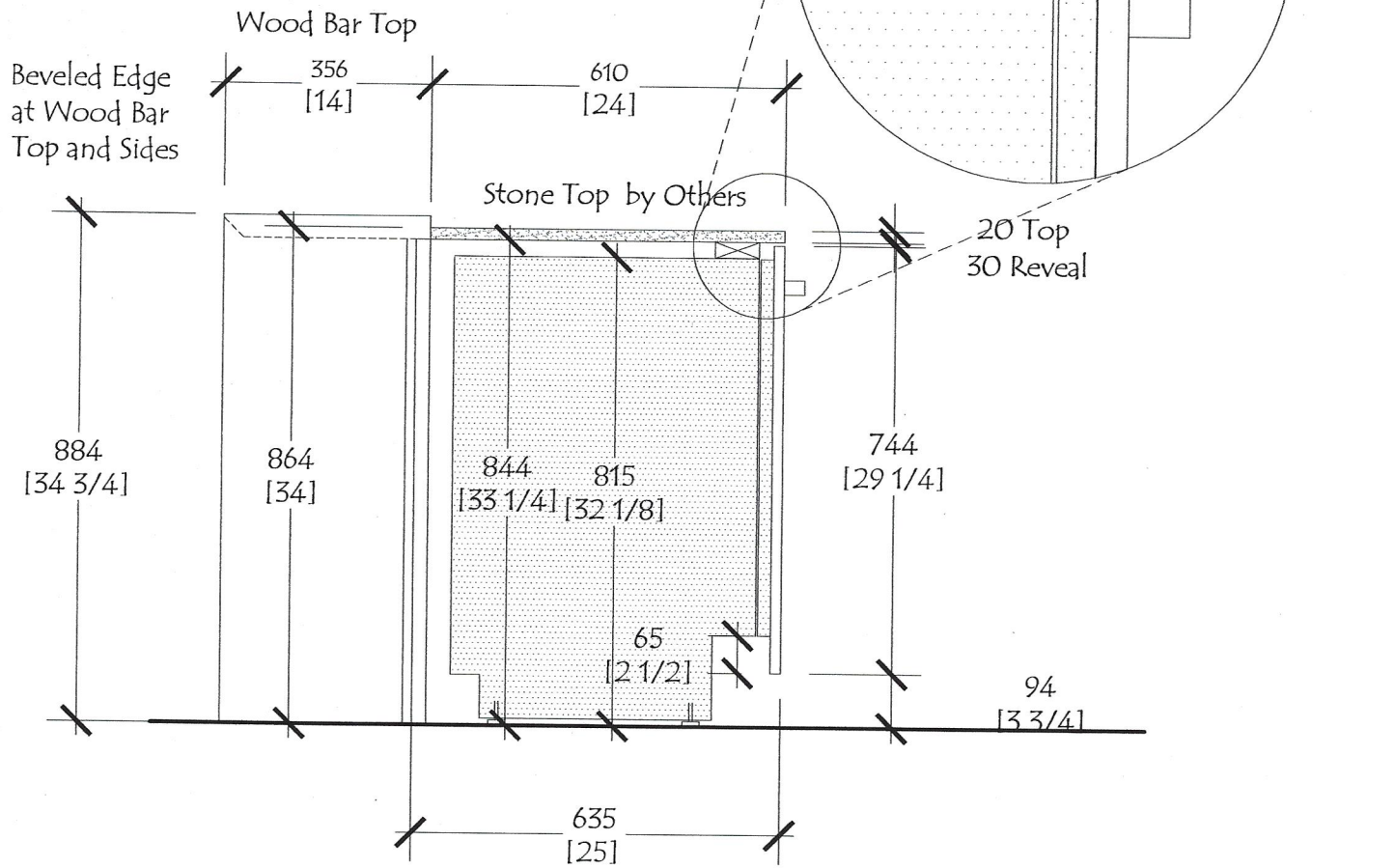


Section at Island Base Cab w/ 2-Bin Garbage Rollout

Section 8

CUSTOMER: The Rinaldi Group		NO.	DATE	REVISIONS	DWG. # RS 1801 Sect 8
PROJECT: 75 Kenmare Street			06-25-18	Remove Gola and Reveal at Cab Top	
TITLE: Kitchen - Section 8					
DATE: 10-01-18	SCALE: NONE	DRAWN BY:	CHECKED BY:		

Custom Panel Exceeds
Dishwasher Door at Top Edge
(DW Control Buttons)
by ± 1"



Section at Island Dishwasher

Section 9

CUSTOMER : The Rinaldi Group				NO.	DATE	REVISIONS	BY	DWG. #
PROJECT : 75 Kenmare Street								RS 1801 Sect 9
TITLE : Kitchen - Section 9								
DATE : 10-01-18	SCALE : NONE	DRAWN BY :	CHECKED BY :					